

A

B

C

D

E

F

ALTERATIONS

LET.

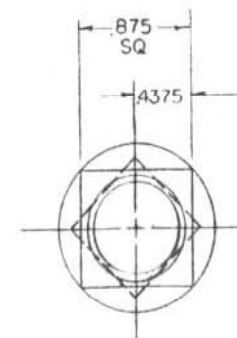
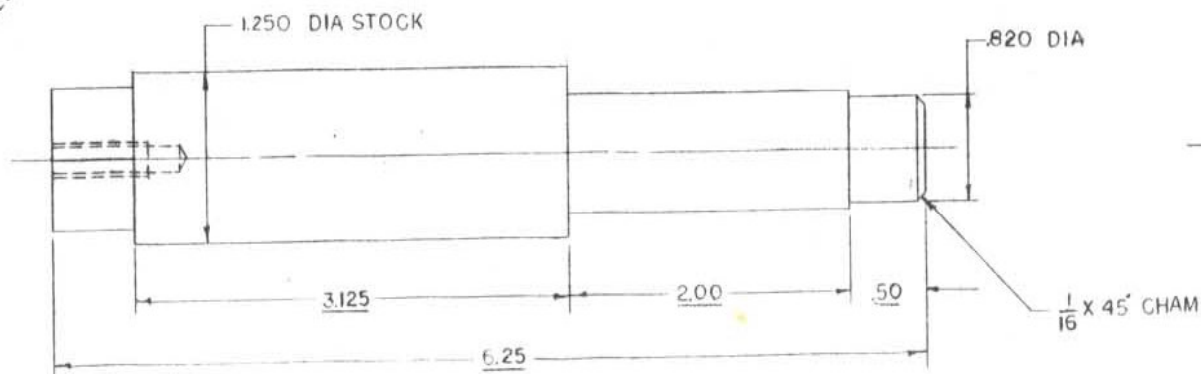
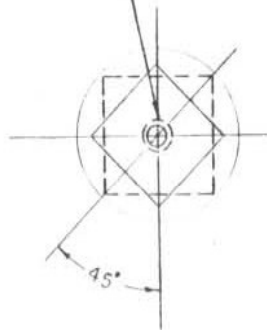
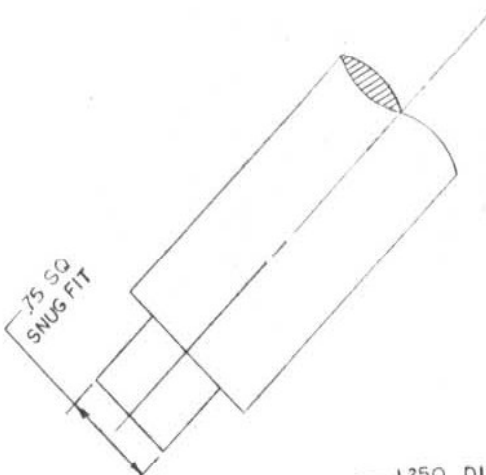
DESCRIPTION

NO.

CHKD.

ZONE

7 (.201) DRILL, 1° DP
 $\frac{1}{4}$ -20UNC-2B $\frac{3}{4}$ DP



UNLESS OTHERWISE SPECIFIED: ANGLES MAY VARY ±0°-30°—FINISHED DIM. MAY VARY ±1/64 IF FRACTIONAL, ±.010 IF DECIMAL—FORGING & CASTING DIM. MAY VARY ±1/16, RADII ARE 1/8—CONCENTRICITY & SQUARENESS ARE INCLUDED IN THE TOLERANCE SPECIFIED—BREAK CORNERS 1/64 TO 1/32—DIMS. SHOWN ARE AFTER PLATING—DO NOT SCALE DRAWING.

MIDWEST YACHT SPECIATIES
 TARTAN 34 REENGINEERING DEPT.

SCALE 1"=1"

CENTERBOARD SHAFT PIN

PART NUMBER

DR. BY

b.k.c.

DATE

4/25/76

TR.

APPRD.

MATL.

STAINLESS STEEL

HT. TR.

HARDNESS

1001
USED ON ASSEMBLY