

BOLT HOLE IN DECK IS
COUNTERBORED TO ALLOW
FORMATION OF ADHESIVE
SEALANT "O" RING AT THIS
CRITICAL MOUNTING LOCATION

SOLID FRP LAMINATE IN WAY OF ALL
STRUCTURAL HARDWARE MOUNTINGS.
ENSURES INTEGRITY OF DECK CORING.

NPG ISO-THALIC
GEL COAT, SUPERIOR
COLOR AND GLOSS
RETENTION. NON-SKID
IN CONTRASTING COLOR.

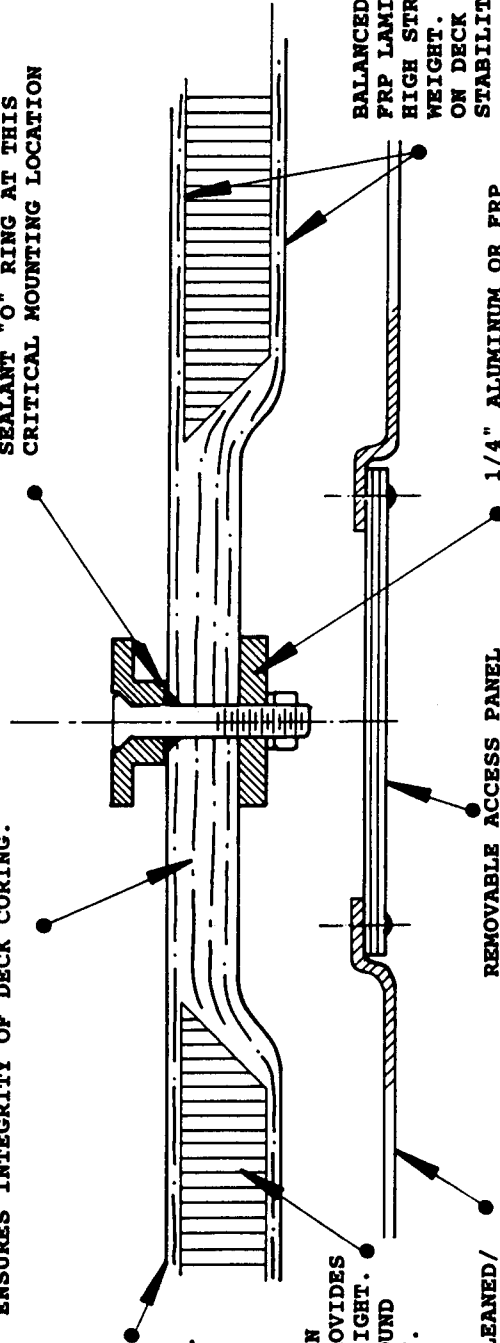
BALSA CORED LAMINATE ON
HORIZONTAL SURFACES PROVIDES
STIFFNESS AND LIGHT WEIGHT.
ADDITIONALLY OFFERS SOUND
AND THERMAL INSULATION.

EASILY CLEANED/
MAINTAINED FRP OVERHEAD
PANELS

REMOVABLE ACCESS PANEL
FOR CONVENIENT FUTURE
SERVICE

1/4" ALUMINUM OR FRP
BACKING PLATE ON ALL
STRUCTURAL HARDWARE

BALANCED, BI-DIRECTIONAL
FRP LAMINATE SCHEDULE.
HIGH STRENGTH, LOW
WEIGHT. LOW WEIGHT
ON DECK = GREATER
STABILITY.



VARIAN D