

## Tartan 34C

### Holding Tank Installation

In order to comply with the Maryland Department of Natural Resources requirements, I installed a holding in our T34C, Adventure, in the spring of 1997. I located the tank behind the head and lavatory, immediately under the existing shelf. The tank measures 30 inches long and 12 inches high. It has a slanted back to conform with the side of the boat (although the bottom depth can be extended to reach the side of the boat). It is coated aluminum with 14 gal capacity. (The coating prevents corrosion due to the sewage. Tank life is 15 to 20 years per Florida Marine Tank.) I acquired it from Florida Marine Tanks, 305-620-9030.

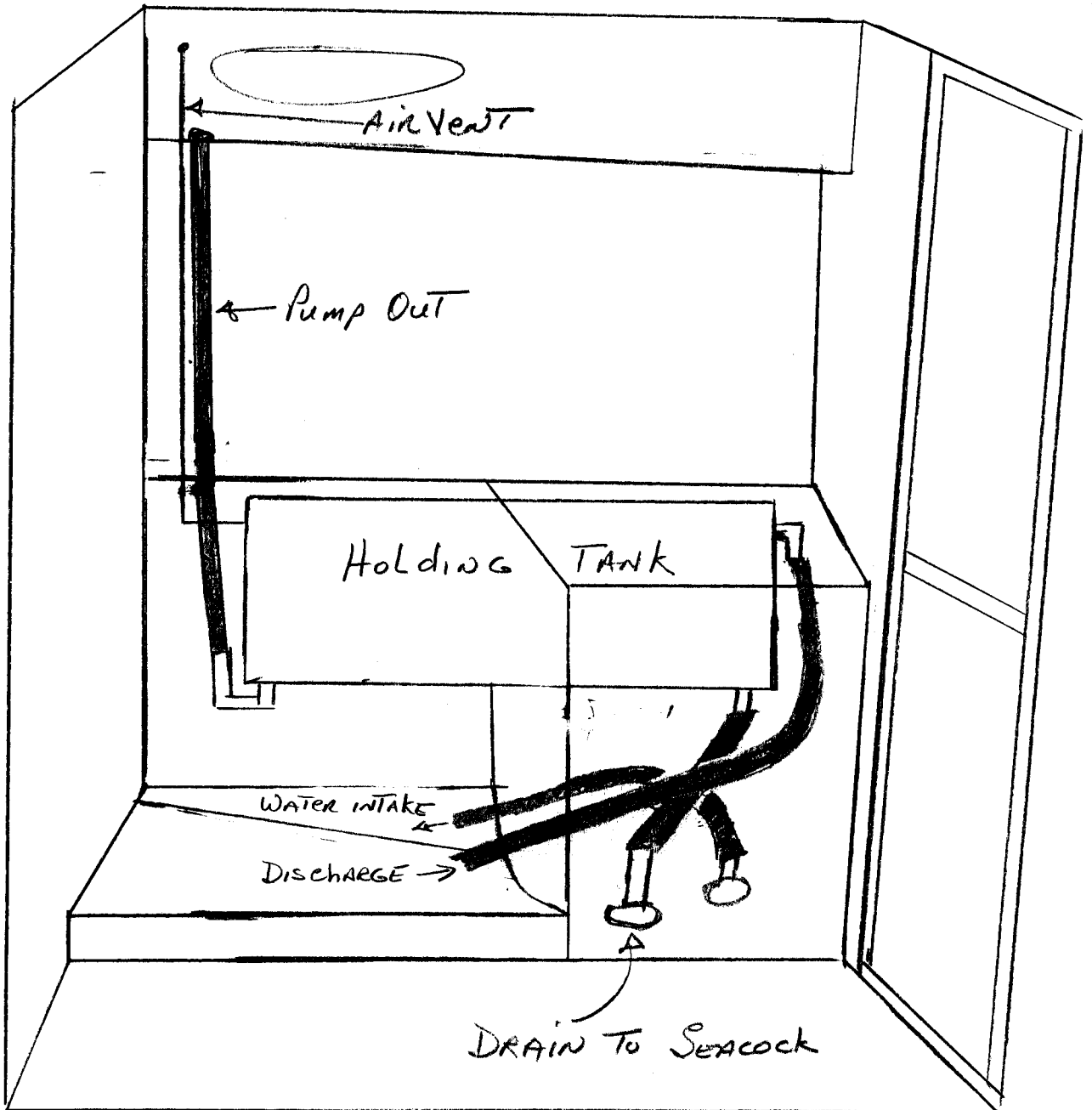
#### Installation

To install the tank, remove the lavatory bulkhead facing the head, and remove the small bulkhead immediately behind the head. These bulkheads are nailed and glued together, and fiberglassed to the bottom. To make installation easier, remove the nails and replace them with screws, no glue. Also, attach a piece of plywood (about 5 inches tall) via screws to the base of both bulkheads so that it rests on the bottom of the boat and fiberglassed this plywood to the bottom. Now, these two bulkheads can be removed by simply removing the screws.

The tank is installed by fiberglassing a piece of ½" plywood to its bottom. This plywood requires an overhang of 1 ½" on the front side to accommodate two threaded rods. These rods extend up through the shelf. When you take up on the rods, it secures the tank firmly up against the shelf. Then fiberglass two knees under the plywood that is under the tank. Place a rubber material between the tank and any portion of the tank that will rub on the hull.

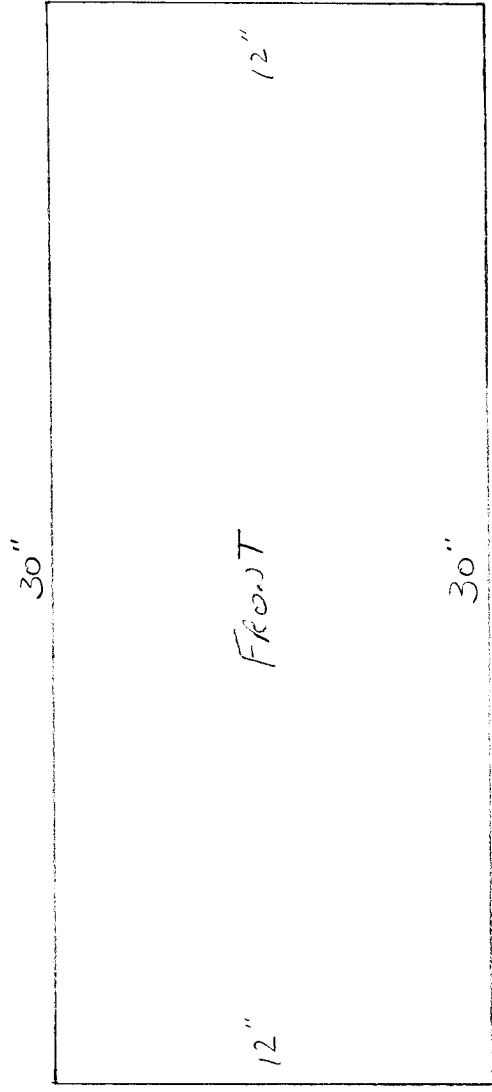
#### Plumbing

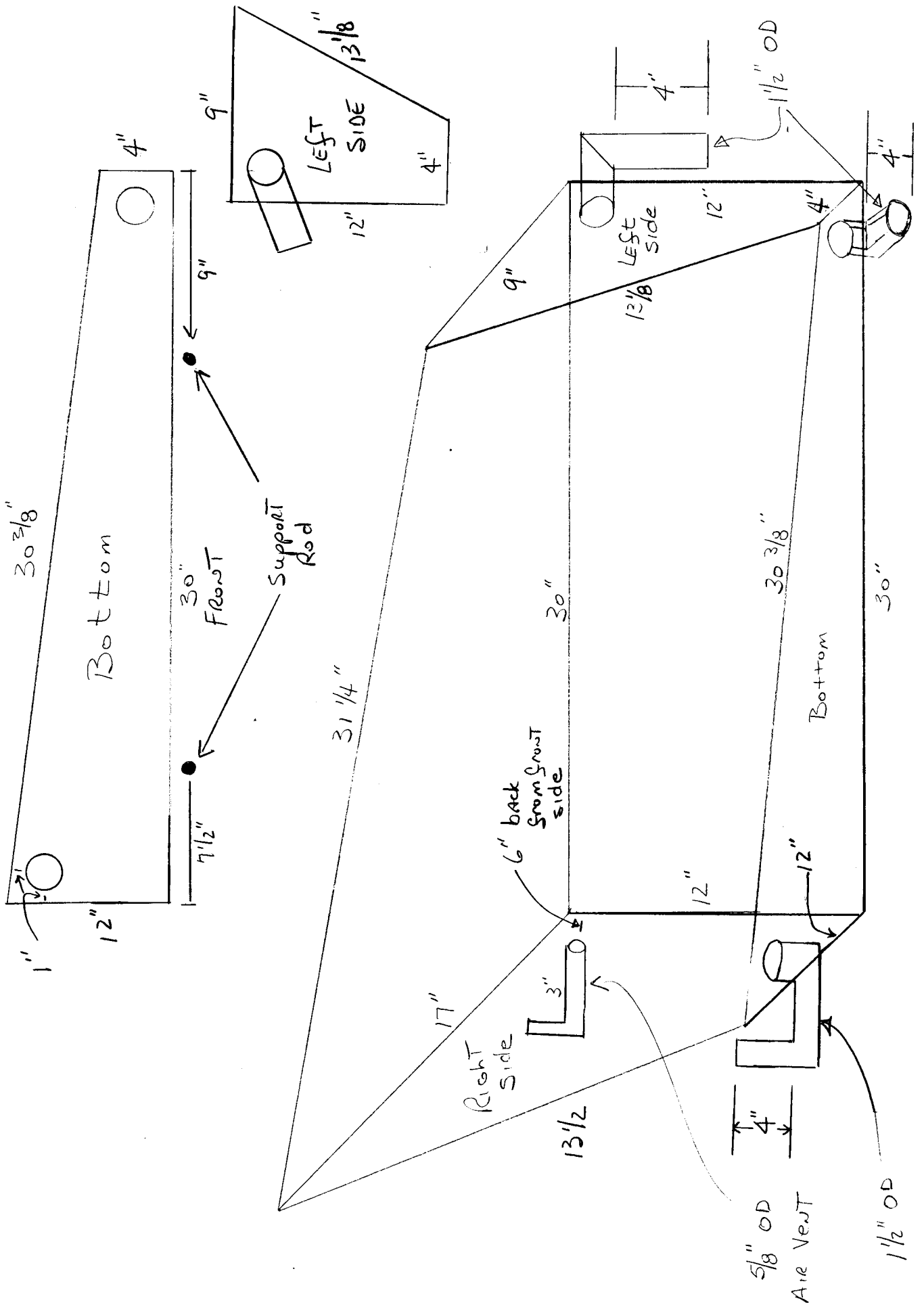
Plumbing is very basic. There is a pump-out hose that extends from the left side of the tank bottom to a pump-out fitting on the deck. There is a gravity drain on the right side to a thru-hull fitting. The sewage input to the tank from the head is at the top right side of the tank. Put a choker valve in the head discharge hose as it travels up to the tank input. Consider a macerator at the head. This facilitates discharge. On the top left side of the tank there is an air vent which requires a 5/8 hose. The water intake hose for the head should have an anti-siphon fitting.

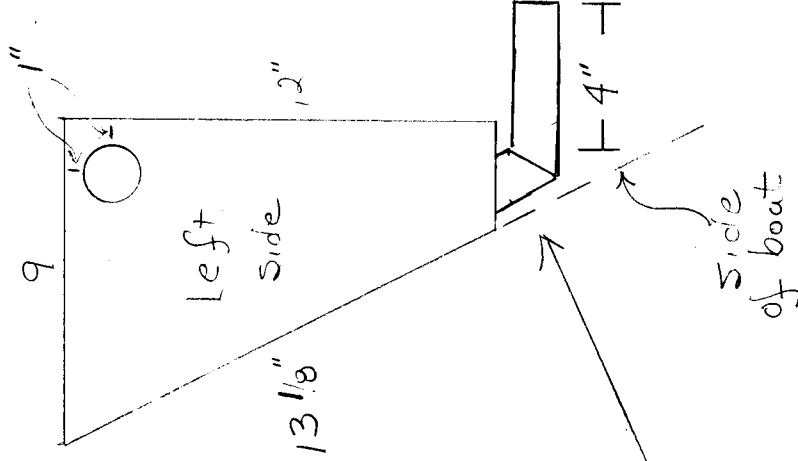


Holding Tank for Sailboat  
MATERIAL: COATED ALUMINUM, 14 GAL

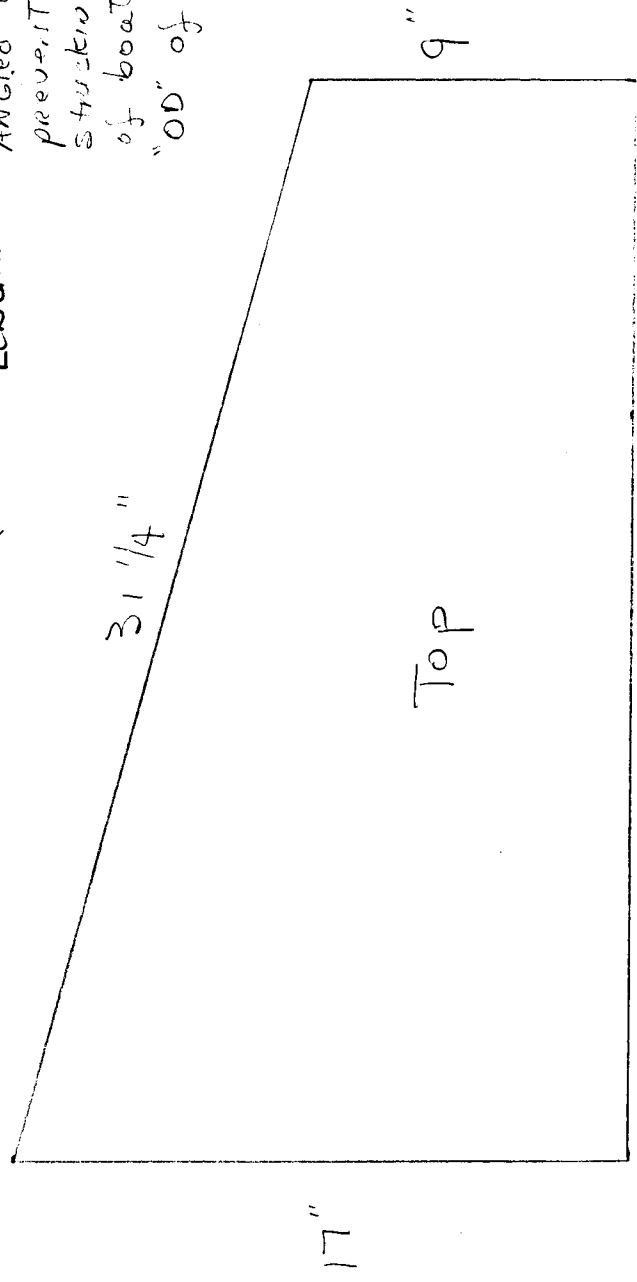
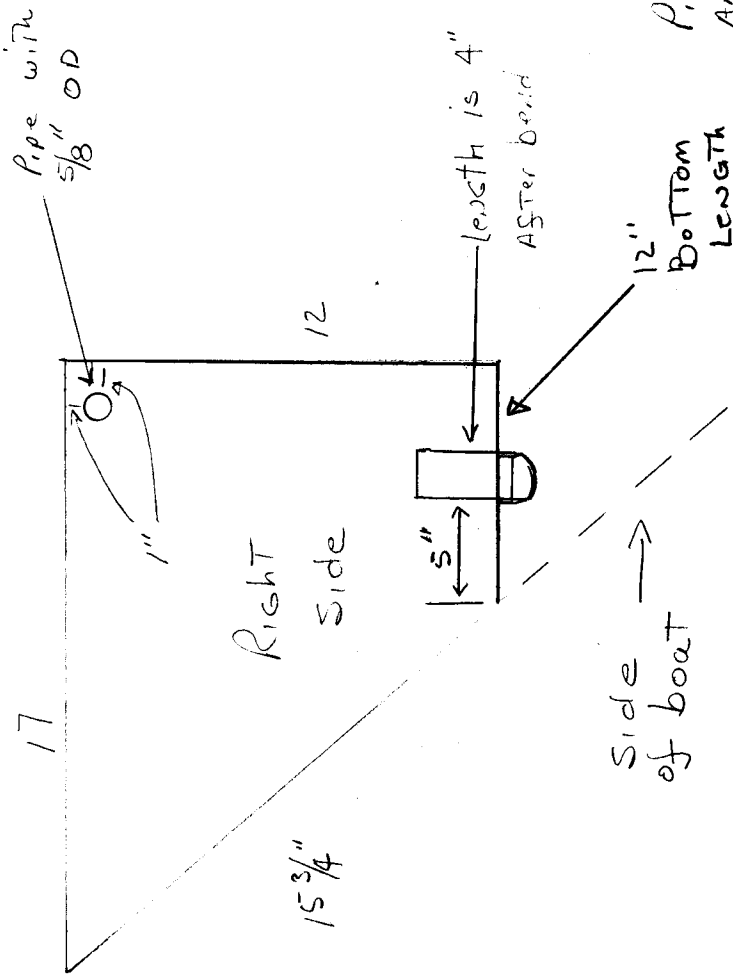
From: Mike Heilmann  
433 Munroe Lane  
Severn Park MD 21766  
Phone: 410-647-5386







Pipe must be angled to prevent it striking side of boat. "OD" of pipe is 1 1/2"



Scale: 3/16" = 1"